

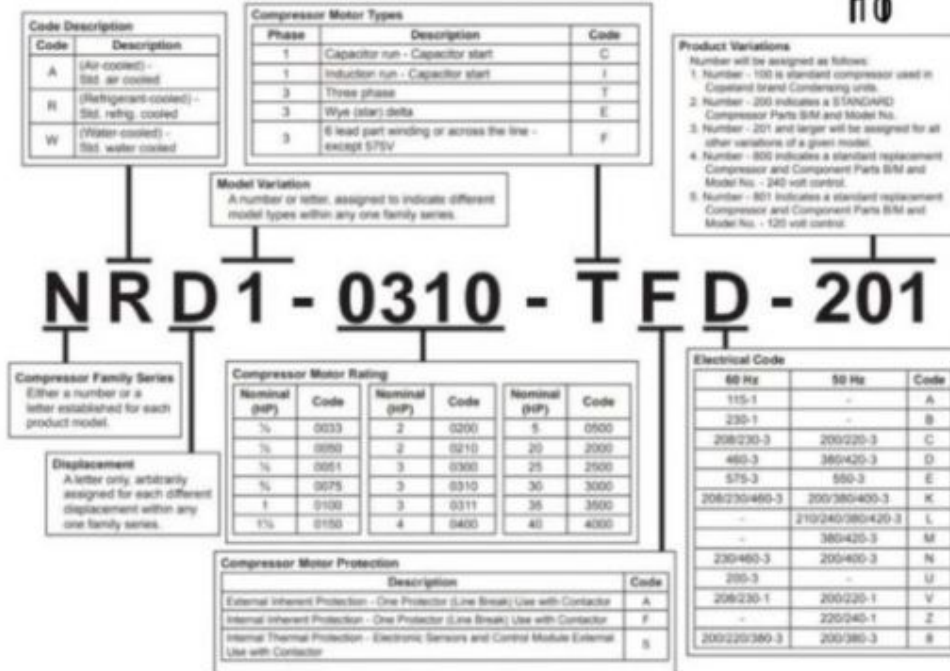
ملف واحد , فيه تعريف ,رموز
جميع ضواغط كوبلند
Copeland,Scroll ,Hermetic,,
Semi hermetic

ملف واحد , فيه تعريف ,رموز جميع ضواغط كوبلند

Copeland,Scroll ,Hermetic, Semi hermetic,

N – Semi-Hermetic Compressors

110



Common Replacement Parts

Common Parts	Part Number
Sight Glass Kit	998-0002-02
Oil Pump Kit	998-0008-33
Suction Screen	013-0010-00
Terminal Fused Cluster (Fusite)	521-0018-00
Terminal Fused Seal (Fusite)	020-0844-02
Gaskets	Part Number
Cylinder Head	020-0954-00
Housing Cover	020-0749-00
Bottom Plate	020-0159-00
Stator Cover	020-0054-00
Terminal Plate Gasket	020-0146-00
Oil Pump Gasket	020-1204-00
Suction or Discharge Valve to Compressor Body	020-1224-00

Cooling Fan Kits	Part Number
120V w/Complete Fan Guard	998-0550-02
240V w/Complete Fan Guard	998-0550-00
480V w/Complete Fan Guard	998-0550-01
Mounting Kit w/Studs	998-0574-02
Crankcase Heater	Part Number
120 Volt 65 Watt	918-0009-00
240 Volt 65 Watt	918-0009-01
Sentronic 3 Kits and Parts	Part Number
Complete Kit	585-1076-02
Sensor and Cable Kit	998-0162-00
Sensor Only	998-0162-01
Copper Gasket for Sensor	020-0297-13
O-Ring Gasket for Sensor	020-0003-28



2014DS-75 R2 (2/16)



Emerson Climate Technologies

Scanned by CamScanner

Compressor Cooling		Comp. Motor Rating Nominal						Compressor Motor Type		Product Variations Numbers will be assigned as follows: 1. Numbers -001 through -199 are reserved for sub-form numbers. 2. Numbers -200 indicates a standard compressor and component parts bin and model no. 3. Numbers -201 and larger will be assigned for all other variations of a given model.
Code	Description	HP	Code	HP	Code	HP	Code	Single Phase Motors	Code	
A	Air cooled	1/4	0025	2-3/4	0275	15	1500	Capacitor run - Capacitor start	C	
D	Discus	1/3	0033	3 (0310)	0300	20	2000	Induction run - Capacitor start	I	
R	Refrigerant cooled	1/2	0050	3-1/2	0350	25	2500	Induction run - Split phase	S	
T	Std. two stage	3/4	0075	4 (0400)	0400	30	3000	Induction run - Capacitor start, low torque	X	
W	Water cooled	1	0100	5 (0500)	0500	35	3500			
		1-1/4	0125	6	0600	40	4000			
		1-1/2	0150	7-1/2 (0750)	0750	50	5000			
		1-3/4	0175	9	0900	60	6000			
		2	0200	10 (1015)	1000					
		2-1/2	0250	12	1200					

Compressor Motor Type

General	Code
3 Lead single voltage	T
6 Lead part winding (575 volt)	
9 Lead dual voltage	
Star (wye) delta	E
6 Lead motors	F
Part winding or across the line	

Product Variations
Numbers will be assigned as follows:
1. Numbers -001 through -199 are reserved for sub-form numbers.
2. Numbers -200 indicates a standard compressor and component parts bin and model no.
3. Numbers -201 and larger will be assigned for all other variations of a given model.

Compressor Family Series
Either a number or a letter established for each product family.

Displacement and Valve Plate
A letter only, arbitrarily assigned for each different displacement within any one family series.

Model Variation
A number or letter, assigned to indicate different model types within any family series.

May also be
"A" = (Alkybenzene)
"E" = (POE Oil)
"L" = (Less Oil)

Compressor Motor Protection

Description	Code
External inherent protection - one protector (line break) use with contactor	A
Internal inherent protection - one protector use with contactor	F
Internal thermostat(s) and ext. supplementary protector(s) use with contactor.	H
Internal thermostat(s), and three ext. supplementary protector(s) use with contactor.	L
Internal thermal protectors - electronic sensors; and control module external. Use with contactor.	S
Internal thermal protectors - electronic sensors; and control module external. use with contactor (For European use only).	W

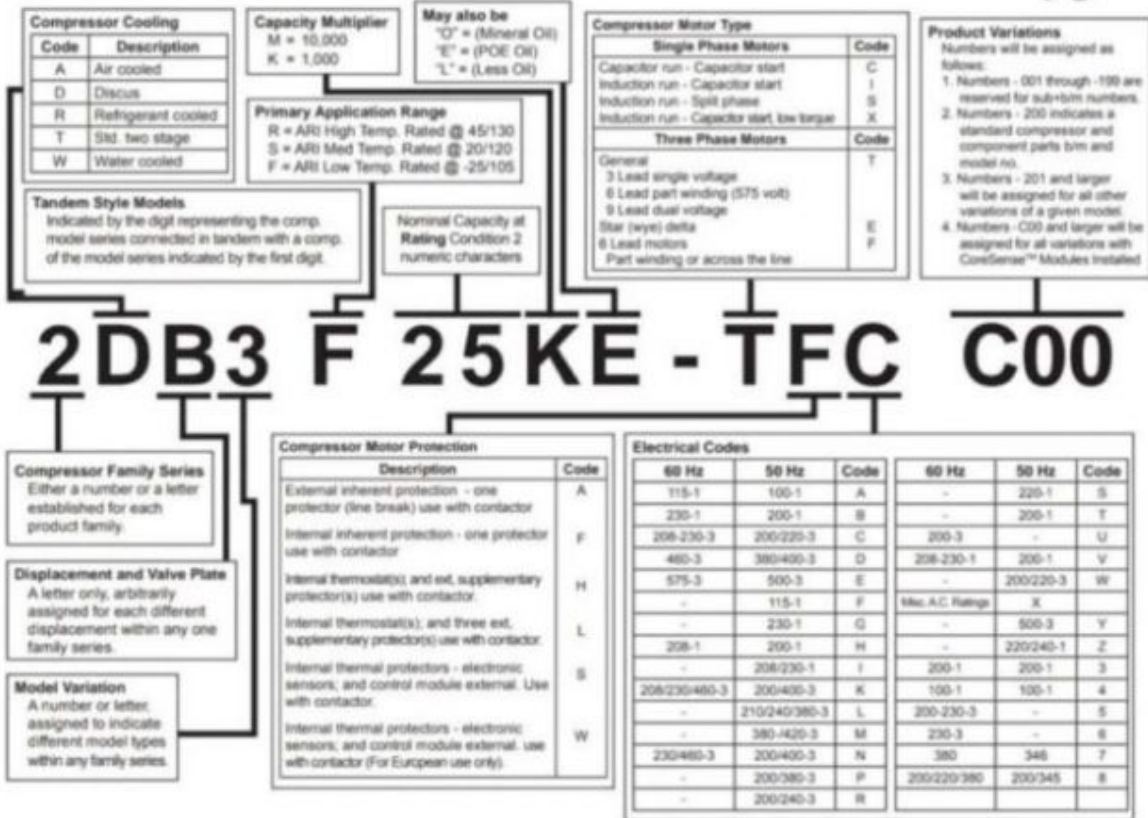
Electrical Codes

60 Hz	50 Hz	Code	60 Hz	50 Hz	Code
115-1	100-1	A	-	220-1	S
230-1	200-1	B	-	200-1	T
5206-230-3	200/220-3	C	200-3	-	U
460-3	380/400-3	D	208-230-1	200-1	V
575-3	500-3	E	-	200/220-3	W
-	115-1	F	Misc. A.C. Ratings	X	
-	230-1	G	-	500-3	Y
208-1	200-1	H	-	220/240-1	Z
-	208/230-1	I	200-1	200-1	3
208/230/460-3	200/400-3	K	100-1	100-1	4
-	210/240/380-3	L	200-230-3	-	5
-	380/420-3	M	230-3	-	6
230/460-3	200/400-3	N	380	348	7
-	200/380-3	P	200/220/380	200/348	8
-	200/240-3	R			

May be = (-) or A. Note: Nominal horsepower rating of tandem compressors is sum of individual compressor ratings.

2DA3 - 0750 - TFE 800





Compressors are sold less service valves and pressure controls. These must be purchased separately.

Technical Data	Technical Data	Key Data	Technical Data	Technical Data
Model 2DB3 F 25KE - TFC C00 Capacity 25 kW Power 25 kW Speed 1500 rpm Stroke 100 mm Weight 150 kg	Dimensions 400 x 400 x 400 mm Stroke 100 mm Weight 150 kg	Key Data 25 kW 1500 rpm 100 mm 150 kg	Technical Data 25 kW 1500 rpm 100 mm 150 kg	Technical Data 25 kW 1500 rpm 100 mm 150 kg

2DB3 F 25KE - TFC C00

Technical Data	Technical Data	Technical Data
Technical Data 25 kW 1500 rpm 100 mm 150 kg	Technical Data 25 kW 1500 rpm 100 mm 150 kg	Technical Data 25 kW 1500 rpm 100 mm 150 kg



Compressor and oil level sensor valves and pressure controls. These must be purchased separately.

Scanned by CamScanner

ght WWW.MBSMGROUP.TN
 ght WWW.MBSMGROUP.TN

Semi-Hermetic Compressors – 3A and 3R

14

Compressor Cooling		Comp. Motor Rating Nominal						Compressor Motor Type		Product Variations Numbers will be assigned as follows: 1. Numbers -001 through -199 are reserved for sub-bin numbers. 2. Numbers -200 indicates a standard compressor and component parts bin and model no. 3. Numbers -201 and larger will be assigned for all other variations of a given model.
Code	Description	HP	Code	HP	Code	HP	Code	Code		
A	Air cooled	1/8	0025	2-3/4	0275	15	1500	Capacitor run - Capacitor start	C	
D	Discus	1/3	0033	3 (0310)	0300	20	2000	Induction run - Capacitor start	I	
R	Refrigerant cooled	1/2	0050	3-1/2	0350	25	2500	Induction run - Split phase	S	
T	Std. two stage	3/4	0075	4 (0408)	0400	30	3000	Induction run - Capacitor start, low torque	X	
W	Water cooled	1	0100	5 (0506)	0500	35	3500			
		1-1/4	0125	6	0600	40	4000			
		1-1/2	0150	7-1/2 (0708)	0750	50	5000			
		1-3/4	0175	8	0800	60	6000			
		2	0200	10 (1015)	1000					
		2-1/2	0250	12	1200					

Compressor Motor Type

Single Phase Motors		Code
Capacitor run - Capacitor start		C
Induction run - Capacitor start		I
Induction run - Split phase		S
Induction run - Capacitor start, low torque		X

Three Phase Motors

Code	
General	T
3 Lead single voltage	
6 Lead part winding (575 volt)	
9 Lead dual voltage	
Star (wye) delta	E
6 Lead motors	F
Part winding or across the line	

Product Variations

Numbers will be assigned as follows:
1. Numbers -001 through -199 are reserved for sub-bin numbers.
2. Numbers -200 indicates a standard compressor and component parts bin and model no.
3. Numbers -201 and larger will be assigned for all other variations of a given model.

Tandem Style Models
Indicated by the digit representing the comp. model series connected in tandem with a comp. of the model series indicated by the first digit.

May be = (-) or A

Note: Nominal horsepower rating of tandem compressors is sum of individual compressor ratings.

3ABB - 032E - CAB 800

Compressor Family Series		Compressor Motor Protection		Electrical Codes					
Description		Code		60 Hz	50 Hz	Code	60 Hz	50 Hz	Code
Either a number or a letter established for each product family.		External inherent protection - one protector (line break) use with contactor		115-1	100-1	A	-	220-1	S
Displacement and Valve Plate A letter only, arbitrarily assigned for each different displacement within any one family series.		Internal inherent protection - one protector use with contactor		230-1	200-1	B	-	200-1	T
Model Variation A number or letter, assigned to indicate different model types within any family series.		Internal thermostat(s) and ext. supplementary protector(s) use with contactor.		5206-230-3	200/220-3	C	200-3	-	U
May also be "A" = (Alkybenzene) "E" = (POE Oil) "L" = (Less Oil)		Internal thermostat(s) and three ext. supplementary protector(s) use with contactor.		460-3	380/400-3	D	208-230-1	200-1	V
		Internal thermal protectors - electronic sensors, and control module external. Use with contactor.		575-3	500-3	E	-	200/220-3	W
		Internal thermal protectors - electronic sensors, and control module external. use with contactor (For European use only).		-	115-1	F	Max. A.C. Ratings	X	
				-	230-1	G	-	500-3	Y
				208-1	200-1	H	-	220/240-1	Z
				-	208/230-1	I	200-1	200-1	3
				208/230/460-3	200/400-3	K	190-1	100-1	4
				-	210/240/380-3	L	200-230-3	-	5
				-	380-420-3	M	230-3	-	6
				230/460-3	200/400-3	N	380	346	7
				-	200/380-3	P	200/220/380	200/345	8
				-	200/240-3	R	-	-	-

* When applicable, specific 50 Hz ratings (not necessarily identical to typical shown above) will be shown as alternate on 60 Hz rated models.

Common Replacement Parts

Common Parts	Part Number
Sight Glass Kit	998-0002-04
Suction Strainer Screen	013-0010-00
Terminal Fused Cluster	521-0017-00
Terminal Fused Cluster Seal	020-0844-02
Gaskets	Part Number
Complete Gasket Set for 3A Compressors	998-0669-24
Complete Gasket Set for 3R Compressors	998-0669-25
Crankcase Heater	Part Number
Bolt on 120 Volt 65 Watt	918-0009-00
Bolt On 240 Volt 65 Watt	918-0009-01



2014DS-78 R2 (2/16)

43

Emerson Climate Technologies

Scanned by CamScanner

Semi-Hermetic Compressors – 3D

15

Compressor Cooling		Comp. Motor Rating Nominal						Compressor Motor Type		Product Variations Numbers will be assigned as follows: 1. Numbers -001 through -199 are reserved for full-form numbers. 2. Numbers 200 includes a standard compressor and component parts list and model no. 3. Numbers -201 and larger will be assigned for all other variations of a given model.
Code	Description	HP	Code	HP	Code	HP	Code	Code		
A	Air cooled	1/8	0001	1/8	0075	1/2	1000	Capacitor run - Capacitor start	C	
D	Direct	1/3	0002	1/3	0150	2/3	2000	Induction run - Capacitor start	I	
R	Refrigerant cooled	1/2	0000	1/2	0225	3/4	3000	Induction run - Split phase	S	
T	Std. two stage	3/4	0075	1	0300	1	4000	Induction run - Capacitor start, low torque	X	
W	Water cooled	1	0150	1	0375	1 1/2	5000	Three Phase Motors		
		1 1/4	0125	2	0500	2	6000	General	T	
		1 1/2	0150	2 1/2	0750	3	9000	3 Lead single voltage		
		1 3/4	0175	3	0900	4	1200	6 Lead split winding (575 volt)		
		2	0225	5	1500	5	1500	9 Lead dual voltage		
		2 1/2	0275	7 1/2	3300	6	2400	Star (poly) delta	E	
				10	4000			6 Lead motors	F	
				12	5000			Part winding or across the line		

May be = 1 or A

Note: Nominal horsepower rating of tandem compressors is sum of individual compressor ratings.

3DA3 - 060E - TFE 800

Compressor Motor Protection		Electrical Codes					
Description	Code	60 Hz		50 Hz		Code	
External inherent protection - one protector (line break) use with contactor	A	0001	0001	A	0001	0001	0001
Internal inherent protection - one protector use with contactor	F	0002	0002	F	0002	0002	0002
Internal thermostat(s) and ext. supplementary protector(s) use with contactor	H	0003	0003	H	0003	0003	0003
Internal thermostat(s), and three ext. supplementary protector(s) use with contactor	L	0004	0004	L	0004	0004	0004
Internal thermal protectors - electronic sensors, and control module external. Use with contactor	S	0005	0005	S	0005	0005	0005
Internal thermal protectors - electronic sensors, and control module external. use with contactor (for European use only)	W	0006	0006	W	0006	0006	0006

* When applicable, specify 50/60 voltage (not necessary detail to input shown above) will be shown as 50/60 or 60/60 used notes.

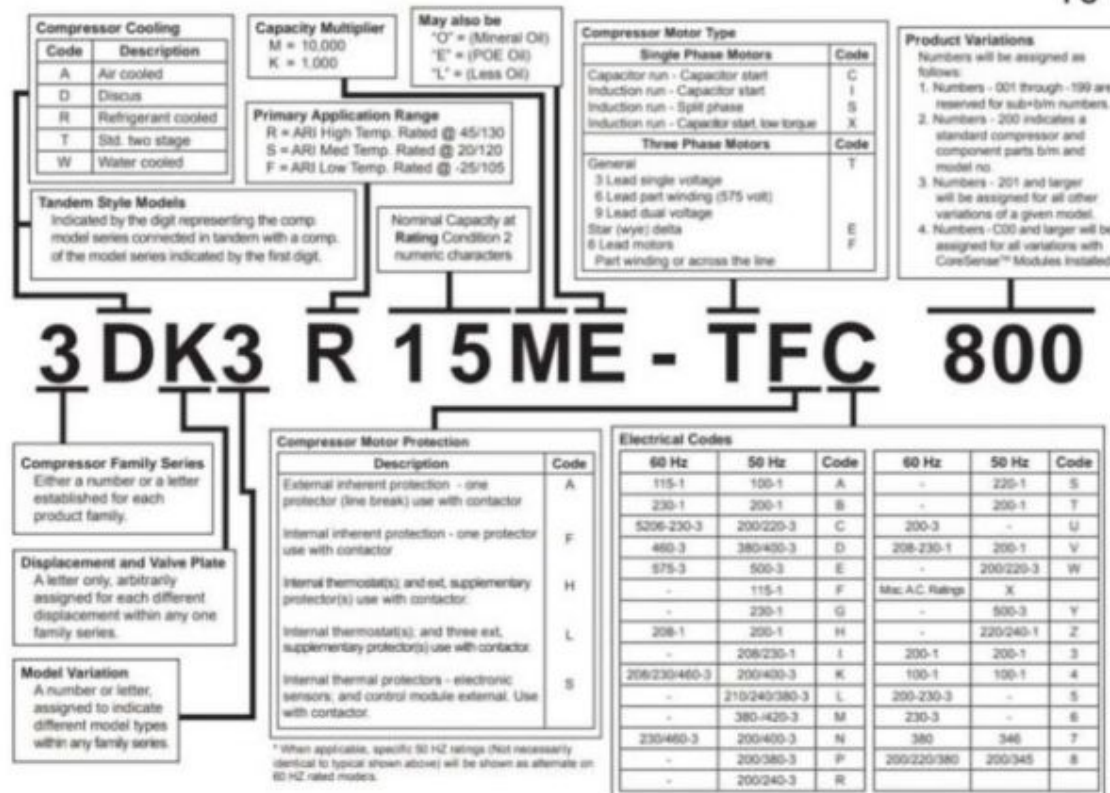
New Model Nomenclature (5th Digit = Application Rating)
 R = Rating at +45°F to +130°F at 90°F Ambient Air
 S = Rating at +20°F to +120°F at 90°F Ambient Air
 F = Rating at -25°F to +105°F at 90° Ambient Air



Scanned by CamScanner

3D – Semi-Hermetic Compressors

16



New Model Nomenclature (5th Digit = Application Rating)
 R = Rating at +45°F to +130°F at 90°F Ambient Air
 S = Rating at +20°F to +120°F at 90°F Ambient Air
 F = Rating at -25°F to +105°F at 90° Ambient Air



Semi-Hermetic Compressors – 4D and 4R

17

Compressor Cooling		Comp. Motor Rating Nominal						Compressor Motor Type		Product Variations	
Code	Description	HP	Code	HP	Code	HP	Code	Single Phase Motors		Numbers will be assigned as follows:	
A	Air cooled	1/4	0025	3/4	0275	1 1/2	0300	Capacitor run - Capacitor start	C	1. Numbers -001 through -199 are reserved for sub-1/2in numbers.	
D	Discus	1/2	0033	3 (0310)	0300	20	2000	Induction run - Capacitor start	I	2. Numbers -200 indicates a standard compressor and component parts bin and model no.	
R	Refrigerant cooled	1/2	0050	3-1/2	0350	25	2500	Induction run - Split phase	S	3. Numbers -201 and larger will be assigned for all other variations of a given model.	
T	Std. two stage	3/4	0075	4 (0400)	0400	30	3000	Induction run - Capacitor start, low torque	X		
W	Water cooled	1	0100	5 (0500)	0500	35	3500	Three Phase Motors			
		1-1/4	0125	6	0600	40	4000	General	T		
		1-1/2	0150	7-1/2 (0750)	0750	50	5000	3 Lead single voltage			
		1-3/4	0175	9	0900	60	6000	4 Lead part winding (575 volt)			
		2	0200	10 (1015)	1000			9 Lead dual voltage			
		2-1/2	0250	12	1200			Star (wye) delta	E		
								6 Lead delta	F		
								Part winding or across the line			

Compressor Family Series
Either a number or a letter established for each product family.

Displacement and Valve Plate
A letter only, arbitrarily assigned for each different displacement within any one family series.

Model Variation
A number or letter, assigned to indicate different model types within any family series.

May also be
"A" = (Akyberzene)
"E" = (POE Oil)
"L" = (Less Oil)

Compressor Motor Protection

Description	Code
External inherent protection - one protector (line break) use with contactor	A
Internal inherent protection - one protector use with contactor	F
Internal thermostat(s) and ext. supplementary protector(s) use with contactor.	H
Internal thermostat(s) and three ext. supplementary protector(s) use with contactor.	L
Internal thermal protectors - electronic sensors; and control module external. Use with contactor.	S
Internal thermal protectors - electronic sensors; and control module external. use with contactor (For European use only).	W

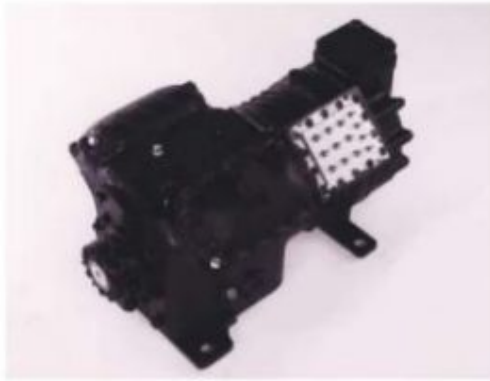
Electrical Codes

60 Hz	50 Hz	Code	60 Hz	50 Hz	Code
115-1	100-1	A	-	220-1	S
230-1	200-1	B	-	200-1	T
5206-230-3	200-220-3	C	200-3	-	U
460-3	380-400-3	D	208-230-1	200-1	V
575-3	500-3	E	-	200-220-3	W
-	115-1	F	Min. A.C. Ratings		
-	230-1	G	-	500-3	Y
208-1	200-1	H	-	220-240-1	Z
-	208-230-1	I	200-1	200-1	3
208-230-460-3	200-400-3	K	100-1	100-1	4
-	210-240-380-3	L	200-230-3	-	5
-	380-420-3	M	230-3	-	6
230-460-3	200-400-3	N	380	346	7
-	200-380-3	P	200-220-380	200-345	8
-	200-240-3	R			

*When applicable, specify 50 Hz ratings (not necessarily identical to typical shown above) will be shown as alternate on 60 Hz rated models.

4DA3 - 100E - TSK 800





18



2014DS-78 R2 (2/16)

75

Emerson Climate Technologies

4D Copeland Discus™ III – Semi-Hermetic Compressors

Compressor Cooling <table border="1" style="width: 100%; border-collapse: collapse;"> <tr><th>Code</th><th>Description</th></tr> <tr><td>A</td><td>Air cooled</td></tr> <tr><td>D</td><td>Discus</td></tr> <tr><td>R</td><td>Refrigerant cooled</td></tr> <tr><td>T</td><td>Two stage</td></tr> <tr><td>W</td><td>Water cooled</td></tr> </table>	Code	Description	A	Air cooled	D	Discus	R	Refrigerant cooled	T	Two stage	W	Water cooled	Capacity Multiplier M = 10,000 S = 1,000	May also be "C" = (Minimal CR) "L" = (POE CR) "L" = (Less CR)	Compressor Motor Type <table border="1" style="width: 100%; border-collapse: collapse;"> <tr><th colspan="2">Single Phase Motors</th><th>Code</th></tr> <tr><td>Capacitor run - Capacitor start</td><td>Induction run - Capacitor start</td><td>C</td></tr> <tr><td>Induction run - Split phase</td><td>Induction run - Capacitor start (for torque)</td><td>I</td></tr> <tr><td colspan="2"></td><td>S</td></tr> <tr><th colspan="2">Three Phase Motors</th><th>Code</th></tr> <tr><td>General</td><td></td><td>T</td></tr> <tr><td>3 Lead single voltage</td><td></td><td>3</td></tr> <tr><td>3 Lead dual voltage</td><td></td><td>3</td></tr> <tr><td>3 Lead dual voltage</td><td></td><td>3</td></tr> <tr><td>Star (wye) delta</td><td></td><td>E</td></tr> <tr><td>6 Lead motor</td><td></td><td>F</td></tr> <tr><td>Part winding or across the line</td><td></td><td></td></tr> </table>	Single Phase Motors		Code	Capacitor run - Capacitor start	Induction run - Capacitor start	C	Induction run - Split phase	Induction run - Capacitor start (for torque)	I			S	Three Phase Motors		Code	General		T	3 Lead single voltage		3	3 Lead dual voltage		3	3 Lead dual voltage		3	Star (wye) delta		E	6 Lead motor		F	Part winding or across the line			Product Variations Numbers will be assigned as follows: 1. Numbers - 001 through 199 are reserved for sub-type numbers. 2. Numbers - 200 indicates a standard compressor and component parts list and model no. 3. Numbers - 201 and larger will be assigned for all other variations of a given model. 4. Numbers - 002 and larger will be assigned for all variations with Condenser™ modules installed.
Code	Description																																																			
A	Air cooled																																																			
D	Discus																																																			
R	Refrigerant cooled																																																			
T	Two stage																																																			
W	Water cooled																																																			
Single Phase Motors		Code																																																		
Capacitor run - Capacitor start	Induction run - Capacitor start	C																																																		
Induction run - Split phase	Induction run - Capacitor start (for torque)	I																																																		
		S																																																		
Three Phase Motors		Code																																																		
General		T																																																		
3 Lead single voltage		3																																																		
3 Lead dual voltage		3																																																		
3 Lead dual voltage		3																																																		
Star (wye) delta		E																																																		
6 Lead motor		F																																																		
Part winding or across the line																																																				

Tandem Style Models
 Indicated by the digit representing the comp. model series connected in tandem with a comp. of the model series indicated by the first digit.

Nominal Capacity at Rating Condition
 2 numeric characters

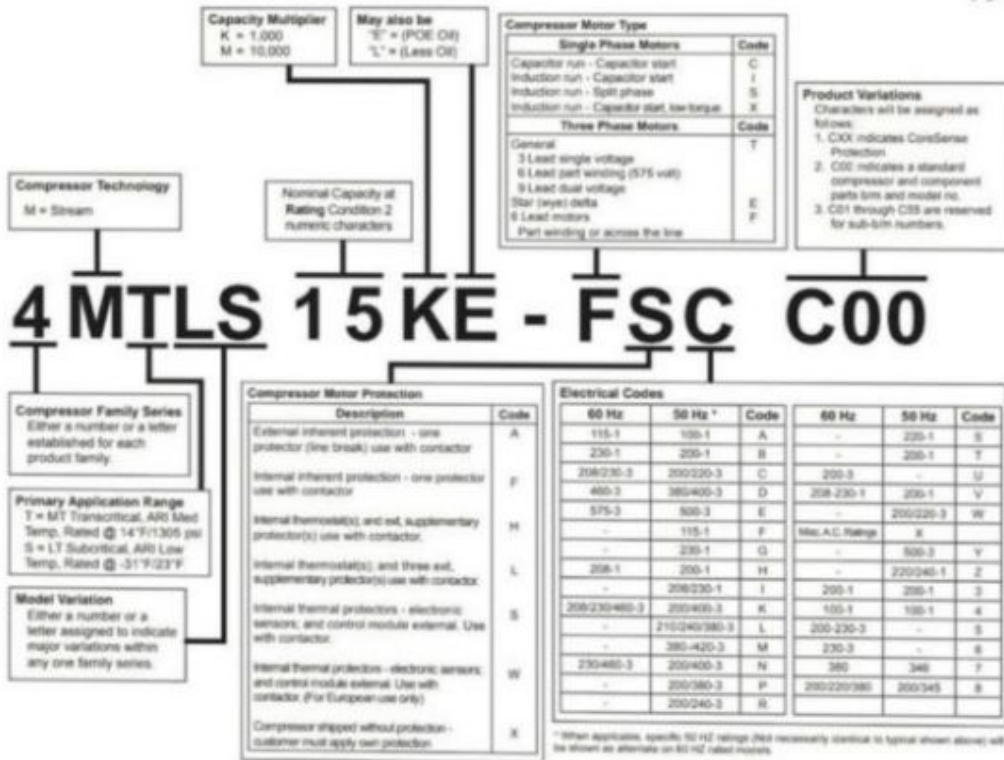
4 DHN R 22 ME - TSE C00

Compressor Family Series Either a number or a letter established for each product family.	Displacement and Valve Plate A letter only, arbitrarily assigned for each different displacement within any one family series.	Model Variation A number or letter, assigned to indicate different model types within any family series.	Compressor Motor Protection <table border="1" style="width: 100%; border-collapse: collapse;"> <tr><th>Description</th><th>Code</th></tr> <tr><td>External inherent protection - one protector (line break) use with contactor</td><td>A</td></tr> <tr><td>Internal inherent protection - one protector use with contactor</td><td>F</td></tr> <tr><td>Internal thermostat(s) and ext. supplementary protector(s) use with contactor</td><td>H</td></tr> <tr><td>Internal thermostat(s) and three ext. supplementary protector(s) use with contactor</td><td>L</td></tr> <tr><td>Internal thermal protection - electronic sensors, and control module external. Use with contactor</td><td>S</td></tr> </table>	Description	Code	External inherent protection - one protector (line break) use with contactor	A	Internal inherent protection - one protector use with contactor	F	Internal thermostat(s) and ext. supplementary protector(s) use with contactor	H	Internal thermostat(s) and three ext. supplementary protector(s) use with contactor	L	Internal thermal protection - electronic sensors, and control module external. Use with contactor	S	Electrical Codes <table border="1" style="width: 100%; border-collapse: collapse;"> <thead> <tr> <th>60 Hz</th> <th>50 Hz</th> <th>Code</th> <th>60 Hz</th> <th>50 Hz</th> <th>Code</th> </tr> </thead> <tbody> <tr><td>115-1</td><td>100-1</td><td>A</td><td>-</td><td>200-1</td><td>S</td></tr> <tr><td>230-1</td><td>200-1</td><td>B</td><td>-</td><td>200-1</td><td>T</td></tr> <tr><td>415-1</td><td>380-1</td><td>C</td><td>200-3</td><td>-</td><td>U</td></tr> <tr><td>440-3</td><td>380-3</td><td>D</td><td>200-230-1</td><td>200-1</td><td>V</td></tr> <tr><td>475-3</td><td>400-3</td><td>E</td><td>-</td><td>200-220-3</td><td>W</td></tr> <tr><td>-</td><td>115-1</td><td>F</td><td>Max. A.C. Range</td><td>X</td><td>-</td></tr> <tr><td>-</td><td>230-1</td><td>G</td><td>-</td><td>500-3</td><td>V</td></tr> <tr><td>200-1</td><td>200-1</td><td>H</td><td>-</td><td>220-240-1</td><td>Z</td></tr> <tr><td>-</td><td>200-230-1</td><td>I</td><td>200-1</td><td>200-1</td><td>3</td></tr> <tr><td>200-230-400-3</td><td>200-400-3</td><td>K</td><td>100-1</td><td>100-1</td><td>4</td></tr> <tr><td>-</td><td>210-240-3</td><td>L</td><td>200-230-3</td><td>-</td><td>5</td></tr> <tr><td>-</td><td>380-420-3</td><td>M</td><td>230-3</td><td>-</td><td>6</td></tr> <tr><td>230-400-3</td><td>200-400-3</td><td>N</td><td>300</td><td>340</td><td>7</td></tr> <tr><td>-</td><td>210-240-3</td><td>P</td><td>200-220-3</td><td>200-240-3</td><td>8</td></tr> <tr><td>-</td><td>200-240-3</td><td>Q</td><td>-</td><td>-</td><td>9</td></tr> </tbody> </table>	60 Hz	50 Hz	Code	60 Hz	50 Hz	Code	115-1	100-1	A	-	200-1	S	230-1	200-1	B	-	200-1	T	415-1	380-1	C	200-3	-	U	440-3	380-3	D	200-230-1	200-1	V	475-3	400-3	E	-	200-220-3	W	-	115-1	F	Max. A.C. Range	X	-	-	230-1	G	-	500-3	V	200-1	200-1	H	-	220-240-1	Z	-	200-230-1	I	200-1	200-1	3	200-230-400-3	200-400-3	K	100-1	100-1	4	-	210-240-3	L	200-230-3	-	5	-	380-420-3	M	230-3	-	6	230-400-3	200-400-3	N	300	340	7	-	210-240-3	P	200-220-3	200-240-3	8	-	200-240-3	Q	-	-	9
Description	Code																																																																																																															
External inherent protection - one protector (line break) use with contactor	A																																																																																																															
Internal inherent protection - one protector use with contactor	F																																																																																																															
Internal thermostat(s) and ext. supplementary protector(s) use with contactor	H																																																																																																															
Internal thermostat(s) and three ext. supplementary protector(s) use with contactor	L																																																																																																															
Internal thermal protection - electronic sensors, and control module external. Use with contactor	S																																																																																																															
60 Hz	50 Hz	Code	60 Hz	50 Hz	Code																																																																																																											
115-1	100-1	A	-	200-1	S																																																																																																											
230-1	200-1	B	-	200-1	T																																																																																																											
415-1	380-1	C	200-3	-	U																																																																																																											
440-3	380-3	D	200-230-1	200-1	V																																																																																																											
475-3	400-3	E	-	200-220-3	W																																																																																																											
-	115-1	F	Max. A.C. Range	X	-																																																																																																											
-	230-1	G	-	500-3	V																																																																																																											
200-1	200-1	H	-	220-240-1	Z																																																																																																											
-	200-230-1	I	200-1	200-1	3																																																																																																											
200-230-400-3	200-400-3	K	100-1	100-1	4																																																																																																											
-	210-240-3	L	200-230-3	-	5																																																																																																											
-	380-420-3	M	230-3	-	6																																																																																																											
230-400-3	200-400-3	N	300	340	7																																																																																																											
-	210-240-3	P	200-220-3	200-240-3	8																																																																																																											
-	200-240-3	Q	-	-	9																																																																																																											

*When applicable, specify 60 Hz ratings (not necessarily correct for typical shown above) will be shown as alternate to 50 Hz rated models.



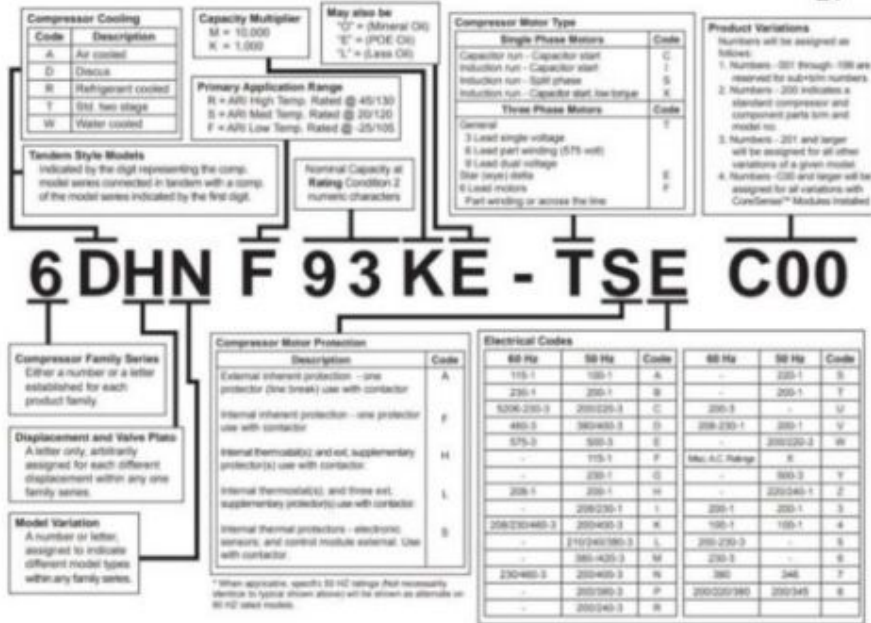
Scanned by CamScanner



Scanned by CamScanner

6D Copeland Discus™ III – Semi-Hermetic Compressors

21



Cooling Fan Kits

Cooling Fan Kits	Part #	Used On
115 Volt Fan Motor Kit	998-0550-02	
115 Volt Replacement Fan Motor	050-0254-04	
230 Volt Fan Motor Kit	998-0550-00	
230 Volt Replacement Fan Motor	050-0254-02	All 6D Discus III
460 Volt Fan Motor Kit	998-0550-01	
460 Volt Replacement Fan Motor	050-0254-05	
Fan Mounting Kit	998-0574-18	
Fan Blade	083-0118-00	

Service Valves

Part #	Size	Discharge	Suction	Style	MTG Center	Thread
998-0510-46	1 3/8"	X		Rotalock		1 3/4"-12
998-0510-66	1 5/8"	X		Rotalock		1 3/4"-12
998-0510-11	1 3/8"		X	Bolt on (2)	2 1/4" x 2 1/4"	
998-0510-07	1 5/8"		X	Bolt on (4)	2 1/2" x 2 1/2"	
998-0510-20	2 1/8"		X	Bolt on (4)	3 1/16" x 3 1/16"	



6D Copeland Discus™ III – Semi-Hermetic Compressors

22

Copeland Discus™ III to Copeland Discus™ II cross reference matrix

Use this matrix to determine required accessory kits if you are replacing a field-failed Copeland Discus™ III compressor with a Copeland Discus™ II service model.

6D	Kit Number		Do I need this Kit? Check the Discus III nomenclature	Kit includes:	Special notes
	CoreSense Protection	CoreSense Diagnostics (ISD)			
Electronics Kit	974-1315-00	998-3000-06	6DKNF93KE-TSK- C 00 C = Protection kit 6DKNF93KE-TSK- A 00 A = Diagnostics kit	Mounting parts (studs and nuts) necessary to reinstall CoreSense Protection or Diagnostics on Discus II service models.	You will never need both of these kits, but you will always need one. (The exception is the -441 BOM. In this case, neither kit is required.)
Low Temp Kit	998-3000-16 (Demand Cooling™) 998-0574-13 (head fan)		6DKXF93KE-TSK-A00 You need it if this digit is F**	Head fan and Demand Cooling™ mounting kits (including studs and nuts)	Depending on the refrigerant in the system, you may not need to use the demand cooling mounting parts.
Unloading Kit	998-0212-00 (less coil)	998-0212-00 (less coil) 998-0212-01 (24V)	6DKXF93KE-TSK-A00 You need it if this digit is anything except H, J, B or G	Gasket and solenoid valve assembly	6D models receive two unloading kits. NOTE: It is possible unloading has been added to the compressor at the time of install. If this is the case, unloading kits will be required.
	998-0212-02 (115V coil) 998-0212-03 (208/220V coil)				
(2 kits will be sent *)					

* Digital compressors (6DKXF93KE-TSK-A00/this digit of the Discus™ III nomenclature is X) will only receive one kit. Digital applications run one unloader head and one digital head.

**Refer to OEM equipment guidelines. Demand Cooling is only used in R-22, R-407A, R-407C and R-407F applications.

NOTE: Any 6DJ, 6DR, or 6DS Discus™ III model being replaced with a Discus™ II must be a -899 BOM (ie: 6DE3F11ME-TSK-899). This model is a standard bottom plate in place of the deep sump bottom plate.



Semi-Hermetic Compressors – 9R

23

Compressor Cooling		Comp. Motor Rating Nominal						Compressor Motor Type		Product Variations	
Code	Description	HP	Code	HP	Code	HP	Code	Single Phase Motors		Numbers will be assigned as follows:	
A	Air cooled	1/4	0025	2-3/4	0275	15	1500	Capacitor run - Capacitor start	C	1. Numbers -001 through -199 are reserved for sub-b/m numbers.	
D	Discus	1/3	0033	3 (0310)	0300	20	2000	Induction run - Capacitor start	I	2. Numbers -200 indicates a standard compressor and component parts b/m and model no.	
R	Refrigerant cooled	1/2	0050	3-1/2	0350	25	2500	Induction run - Split phase	S	3. Numbers -201 and larger will be assigned for all other variations of a given model.	
T	Std. two stage	3/4	0075	4 (0406)	0400	30	3000	Induction run - Capacitor start, low torque	X		
W	Water cooled	1	0100	5 (0506)	0500	35	3500	Three Phase Motors			
		1-1/4	0125	6	0600	40	4000	General	T		
		1-1/2	0150	7-1/2 (0706)	0700	50	5000	3 Lead single voltage			
		1-3/4	0175	9	0900	60	6000	6 Lead part winding (575 volt)			
		2	0200	10 (1010)	1000			9 Lead dual voltage			
		2-1/2	0250	12	1200			Star (wye) delta	E		
								6 Lead motors	F		
								Part winding or across the line			

Note: Nominal horsepower rating of tandem compressors is sum of individual compressor ratings.

9RP2 - 1015 - TFE 800

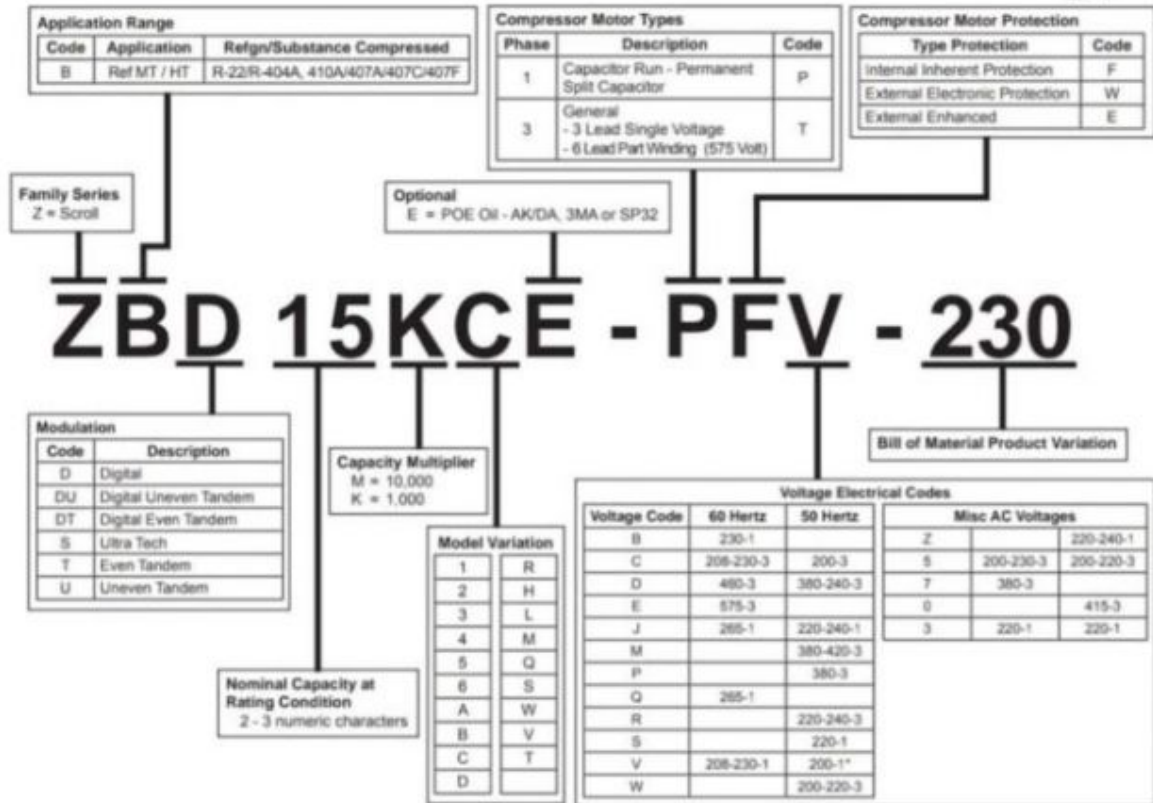
Compressor Family Series		Compressor Motor Protection		Electrical Codes					
Either a number or a letter established for each product family.		Description	Code	60 Hz	50 Hz	Code	60 Hz	50 Hz	Code
Displacement and Valve Plate A letter only, arbitrarily assigned for each different displacement within any one family series.		External inherent protection - one protector (line break) use with contactor	A	115-1	100-1	A	-	220-1	S
Model Variation A number or letter, assigned to indicate different model types within any family series.		Internal inherent protection - one protector use with contactor	F	230-1	200-1	B	-	200-1	T
May also be "A" = (Alkybenzene) "E" = (PDE Oil) "L" = (Less Oil)		Internal thermostat(s) and ext. supplementary protector(s) use with contactor.	H	0206-230-3	200/220-3	C	200-3	-	U
		Internal thermostat(s) and three ext. supplementary protector(s) use with contactor.	L	460-3	380/400-3	D	208-230-1	200-1	V
		Internal thermal protectors - electronic sensors, and control module external. Use with contactor.	S	575-3	500-3	E	-	200/220-3	W
				-	115-1	F	Max. A.C. Ratings	-	X
				-	230-1	G	-	500-3	Y
				208-1	200-1	H	-	220/240-1	Z
				-	208/230-1	I	200-1	200-1	3
				208/230/460-3	200/400-3	K	100-1	100-1	4
				-	210/240/380-3	L	200-230-3	-	5
				-	380-420-3	M	230-3	-	6
				230/460-3	200/400-3	N	380	346	7
				-	200/380-3	P	200/220/380	200/346	8
				-	200/240-3	R			

* When applicable, specific 60 Hz ratings (Not necessarily identical to typical shown above) will be shown as alternate on 60 Hz rated models.



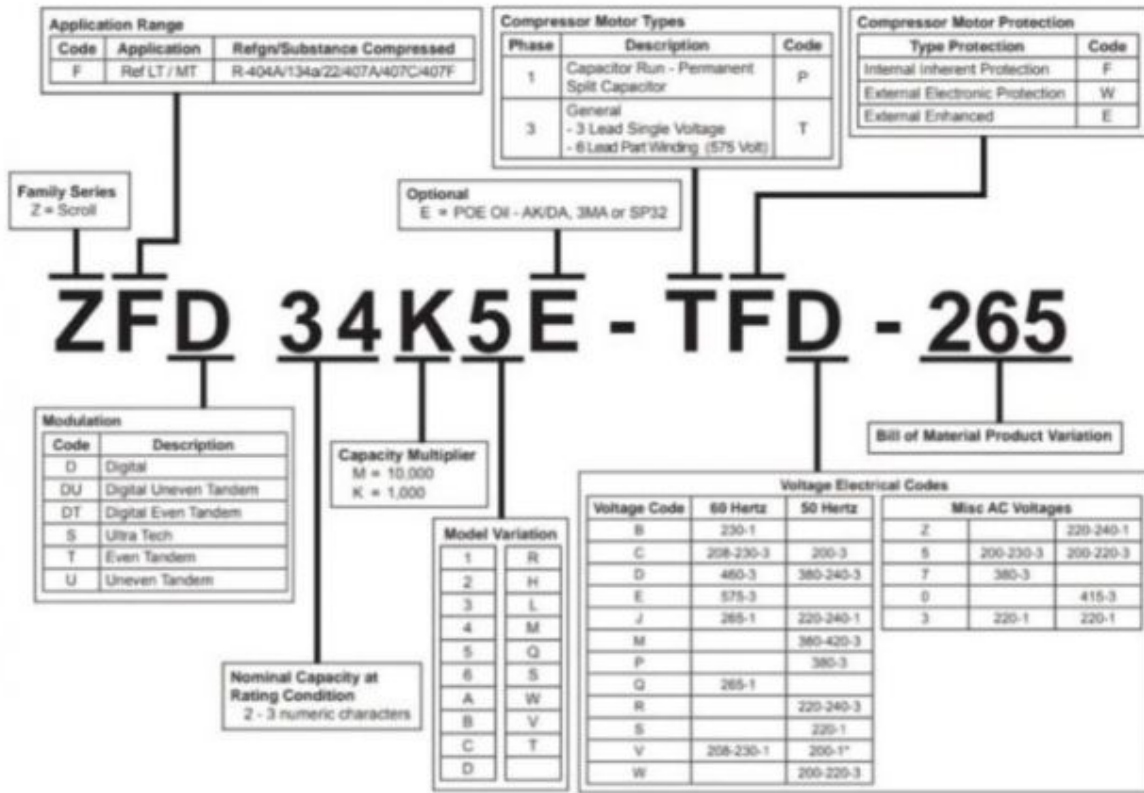
Copeland Scroll™ Compressors – ZB

24



Copeland Scroll™ Compressors – ZF

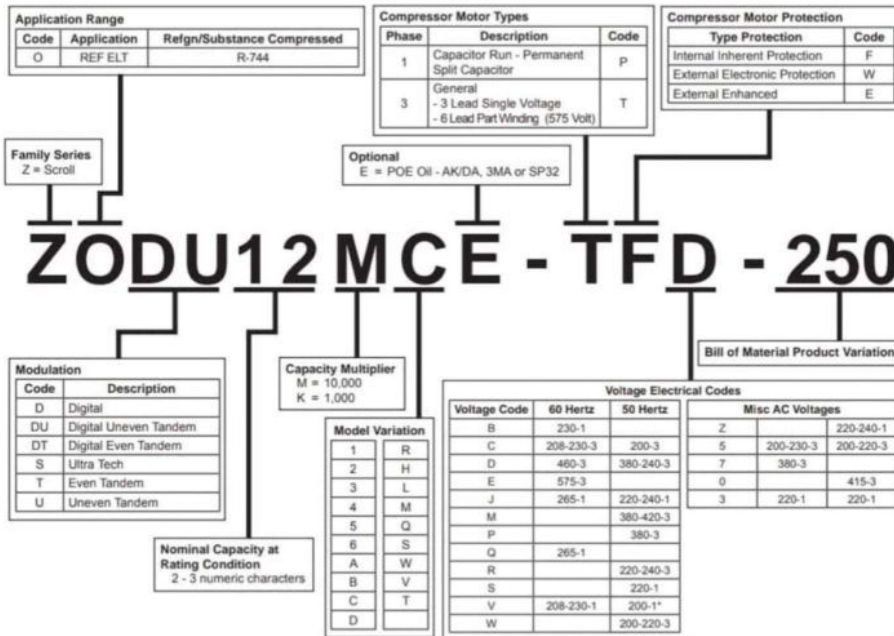
25



Scanned by CamScanner

Copeland Scroll™ CO₂ Compressors – ZO

26

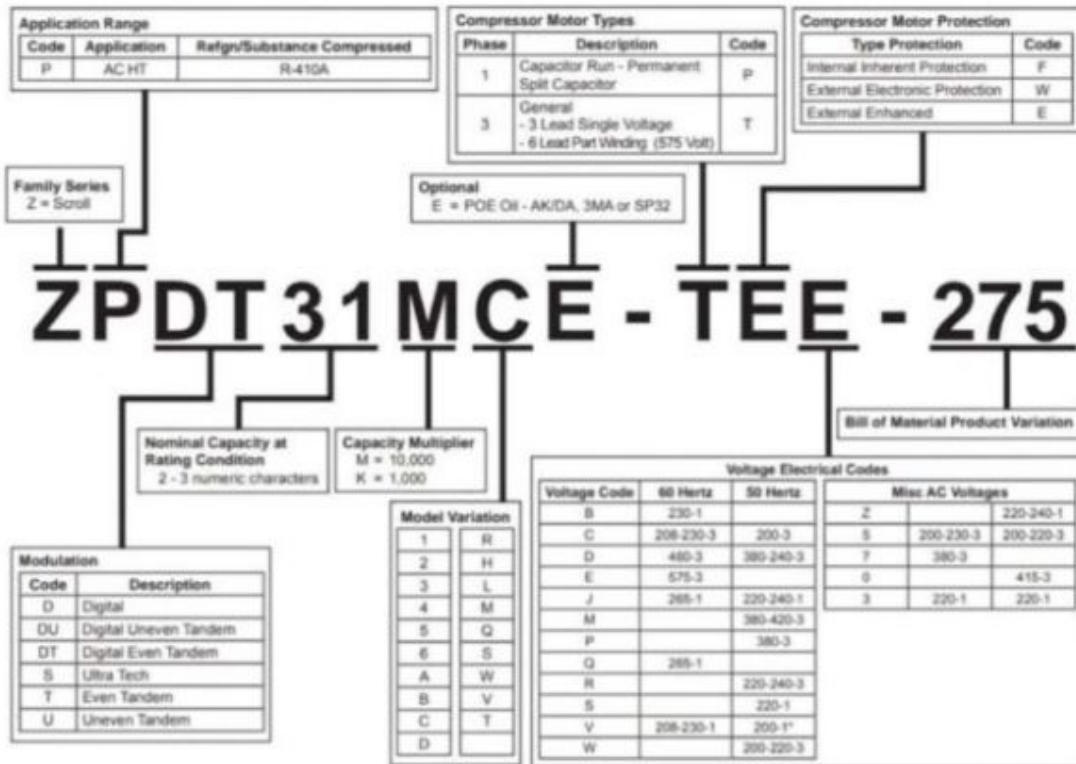


Scanned by CamScanner

Picture Private Copyright WWW.MBSMGROUP.TN

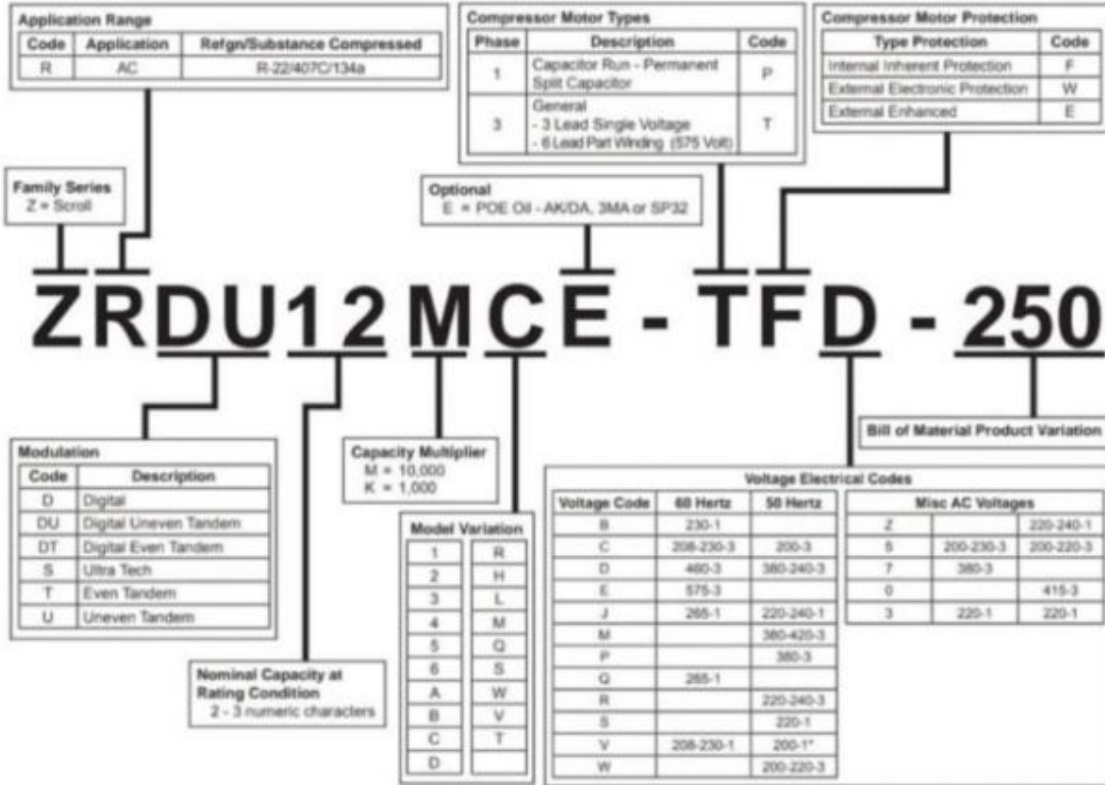
ZP – Copeland Scroll™ Compressors

27



Scanned by CamScanner

ZR – Copeland Scroll™ Compressors



ZR – Copeland Scroll™ Compressors

29

ZRS - Compressor Parts

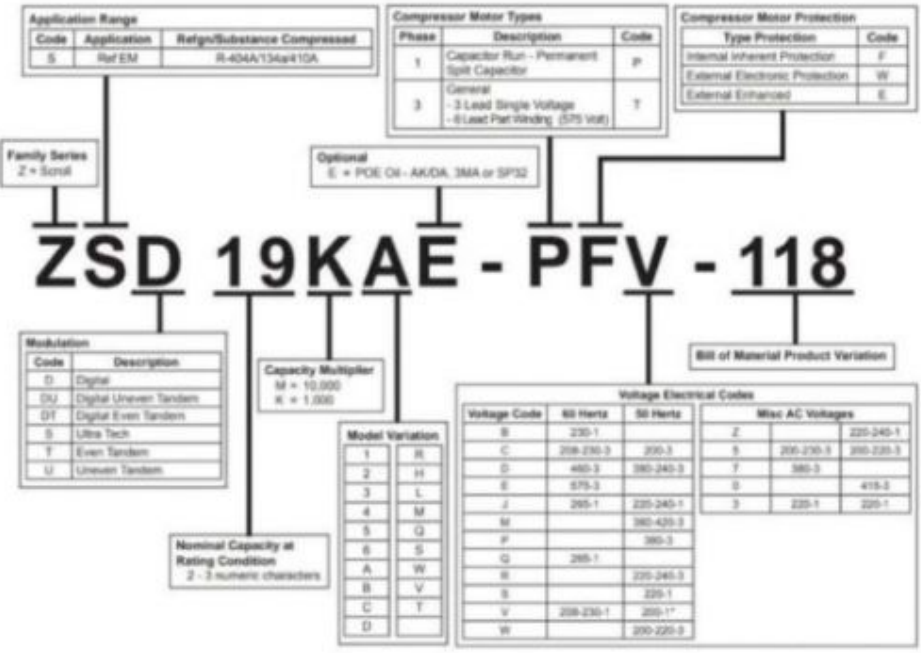
Model	Start Capacitor		Run Capacitor		Relay		Motor Protector	Mounting Parts	Crankcase Heater
	OEM	Service	OEM	Service	OEM	Service			
	(014-)	(914-)	(014-)	(914-)	(040-)	(940-)		(527-)	
ZRS35K4(E)-PFV*	0061-27	0036-03	0064-08	0037-12	0166-21	0001-62	IP	0116-00	7
ZRS43K4(E)-PFV*	0061-27	0036-03	0064-25	0037-36	0166-37	0001-79	IP	0116-00	7
ZRS43K4(E)-TF*							IP	0116-00	7
ZRS52K4(E)-PFV*	0006-17	0006-12	0064-27	0037-38	0166-07	0140-08	IP	0116-00	7
ZRS52K4(E)-TF*							IP	0116-00	7

ZRU - Uneven Tandems

Model	Motor Protector	Mounting Parts	Crankcase Heater	Model	Motor Protector	Mounting Parts	Crankcase Heater
		(527-)				(527-)	
ZRU140KCE-TFD	IP	0181-00	7	ZRU350KC-TEE	EP	0177-00	4
ZRU140KCE-TF5	IP	0181-00	7	ZRU350KC-TE5	EP	0177-00	4
ZRU178KCE-TFD	IP	0177-00	4	ZRU350KC-TE7	EP	0177-00	4
ZRU178KCE-TFE	IP	0177-00	4	ZRU350KCE-TED	EP	0177-00	4
ZRU178KCE-TF5	IP	0177-00	4	ZRU350KCE-TEE	EP	0177-00	4
ZRU178KCE-TF7	IP	0177-00	4	ZRU350KCE-TE5	EP	0177-00	4
ZRU350KC-TED	EP	0177-00	4	ZRU350KCE-TE7	EP	0177-00	4



Scanned by CamScanner



Copeland Scroll™ Compressors – ZS

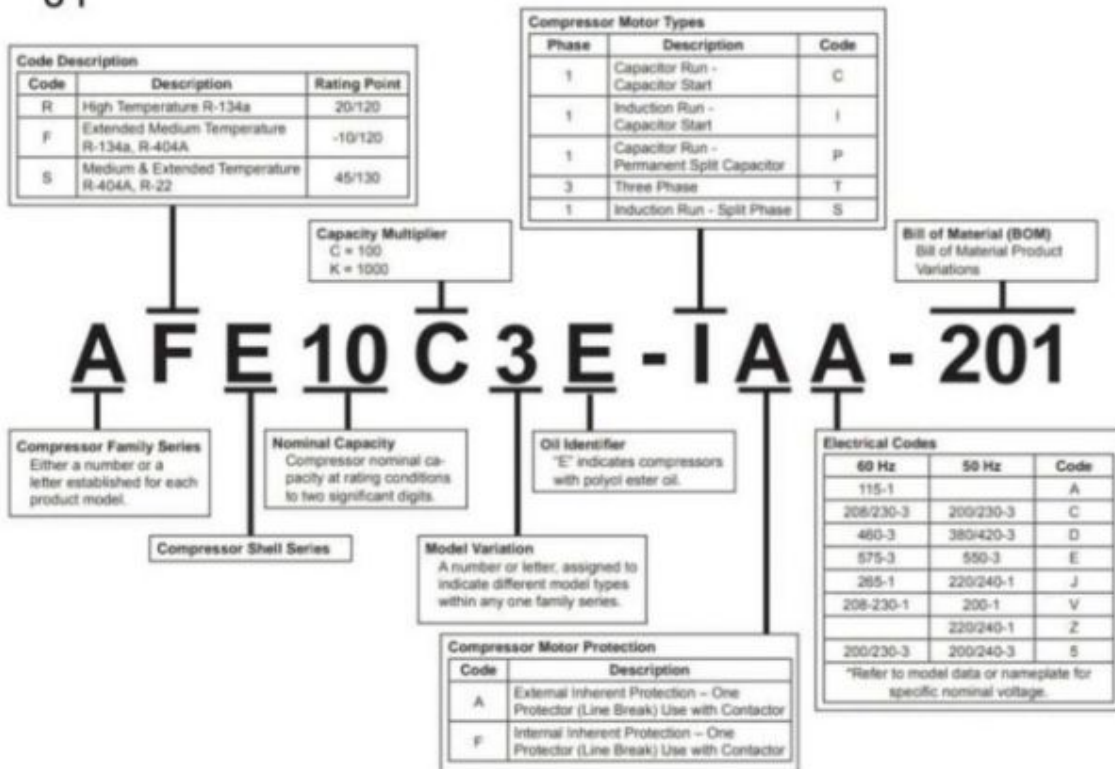
Common Replacement Parts

Molded Plug	Part Number
10 GA. - All K4K4E and K5K5E 130 or 830 BOM compressors	529-0060-04
Oil Controls and Adapters	Part Number
OMB Oil Control - All Models	065365
OMB Adapter	Sight Glass Connection-Part#



Hermetic Compressors – A

01



Crankcase Heaters

Models	OEM	Service	Voltage	Watts	Lead Length (in)
	(018-)	(918-)			
A'B / A'E	0048-02	0048-00	120V	35	30
A'B / A'E	0048-03	0048-01	240V	35	30
A'T	0090-00	0049-00	120V	48	30
A'T	0090-01	0049-01	240V	48	30



2014DS-78 R2 (2/16)

3

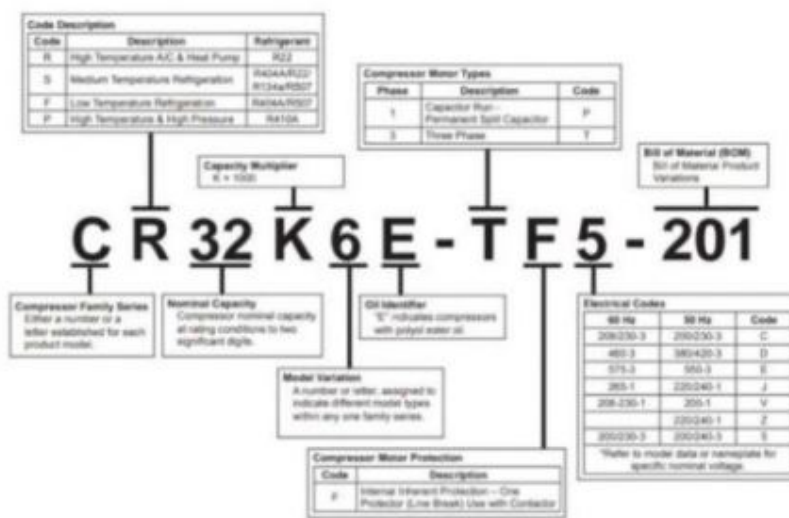
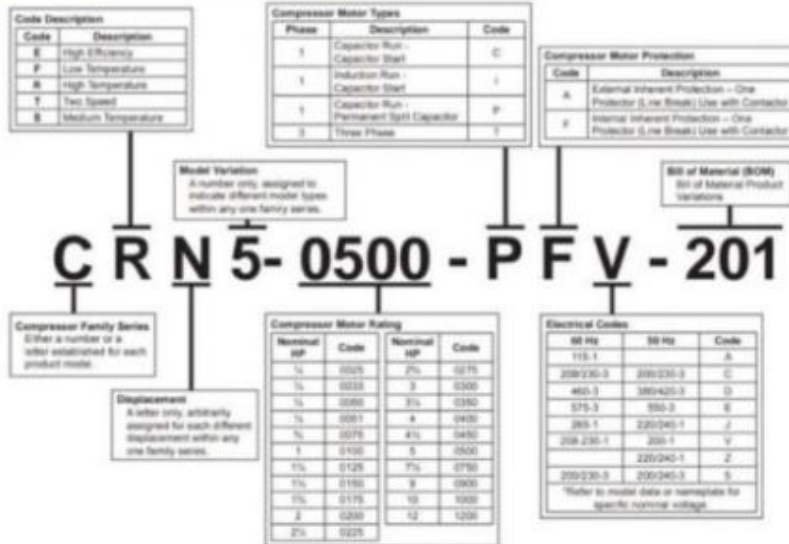


Emerson Climate Technologies

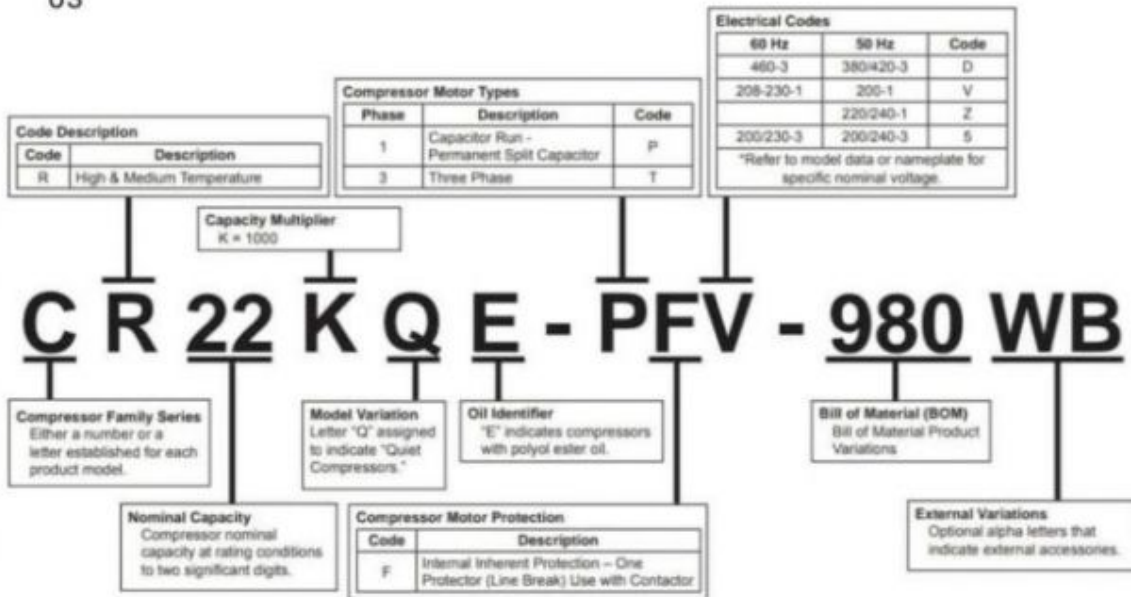
Scanned by CamScanner



C – Hermetic Compressors



03



Crankcase Heaters

Application Code	Wrap Around Style		Voltage	Watts	Type
	OEM (018-)	Service (918-)			
1	018-0088-00	918-0088-00	240/265V	40/49	Wrap Around
1	018-0088-01	918-0088-01	480/575V	40/57	
2	018-0088-04	918-0088-04	240/265V	40/49	
2	018-0088-05	918-0088-05	480/575V	40/57	
3	018-0075-00	918-0037-02	240V	58	
3	018-0075-01	918-0037-03	480V	50	

* NOTE: 018-0031-05/918-0031-05 Crankcase Heaters used on previous models are no longer available.

Molded Plugs

Wire Gauge	Part Number
10	529-0060-04
14	529-0060-06



2014DS-78 R2 (2/16)



9

Emerson Climate Technologies



CR

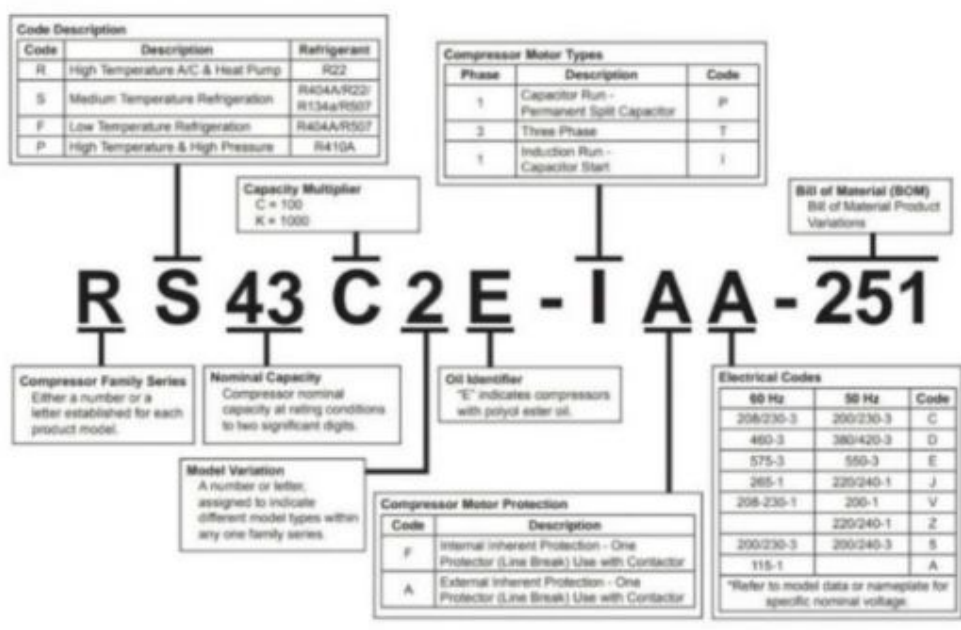
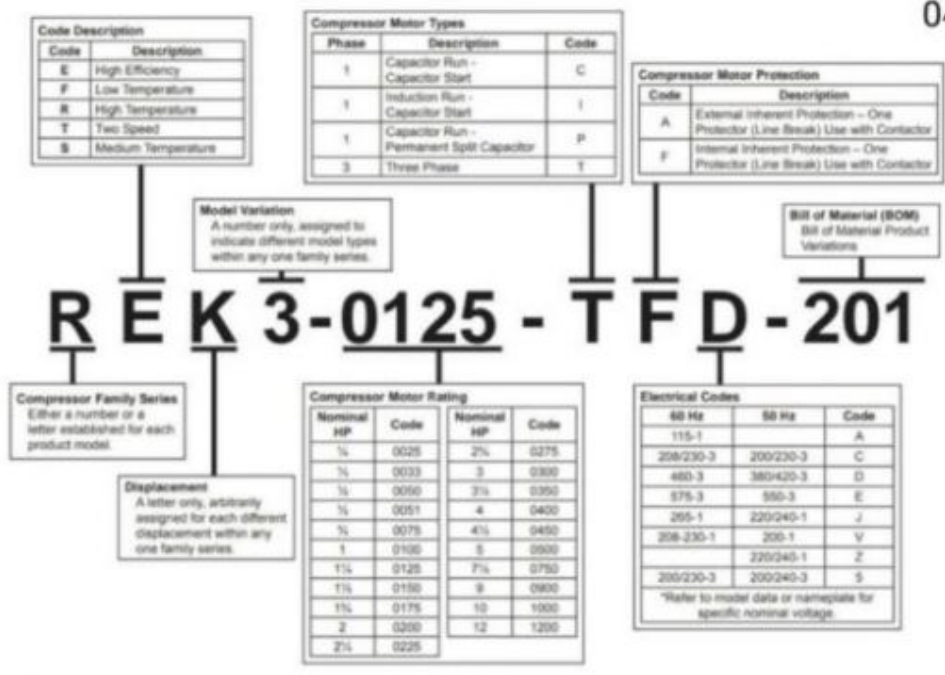


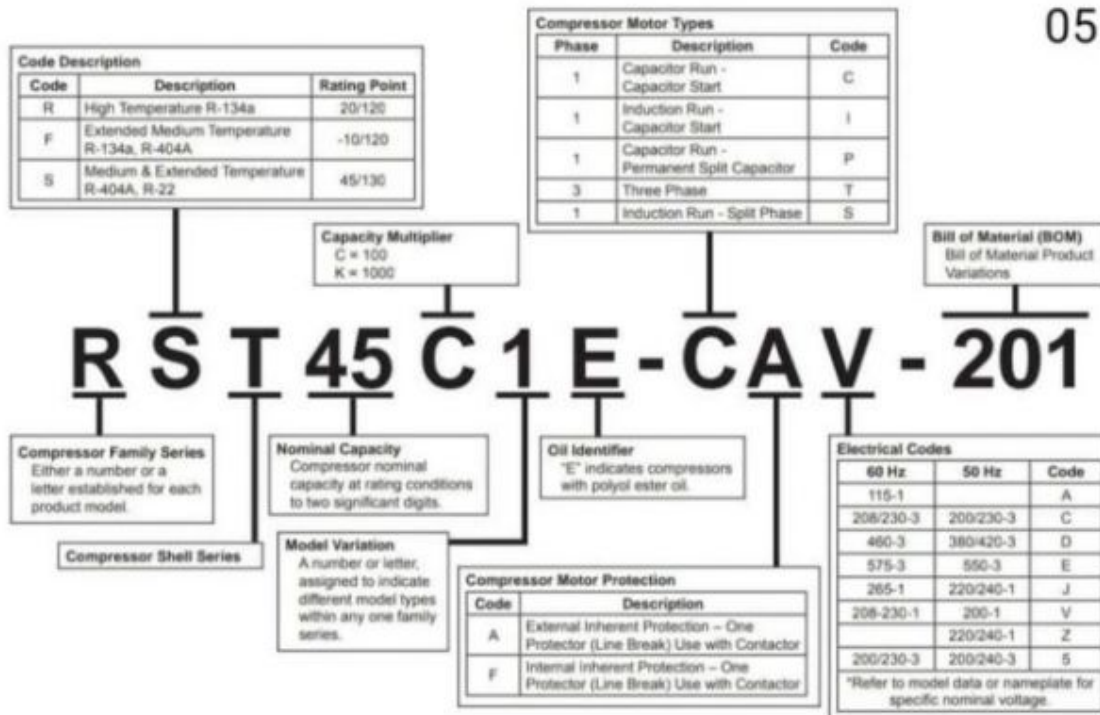
CS



CT

R – Hermetic Compressors





Crankcase Heaters

Application Code	OEM (018-)	Service (918-)	Voltage	Watts	Lead Length
#1	0089-00	0038-00	120V	48 WATT	49" Lead
#1	0089-02	0038-01	240V	48 WATT	49" Lead
#2	0097-00	0097-00	120V	20 WATT	49" Lead
#2	0097-01	0097-01	240V	20 WATT	49" Lead

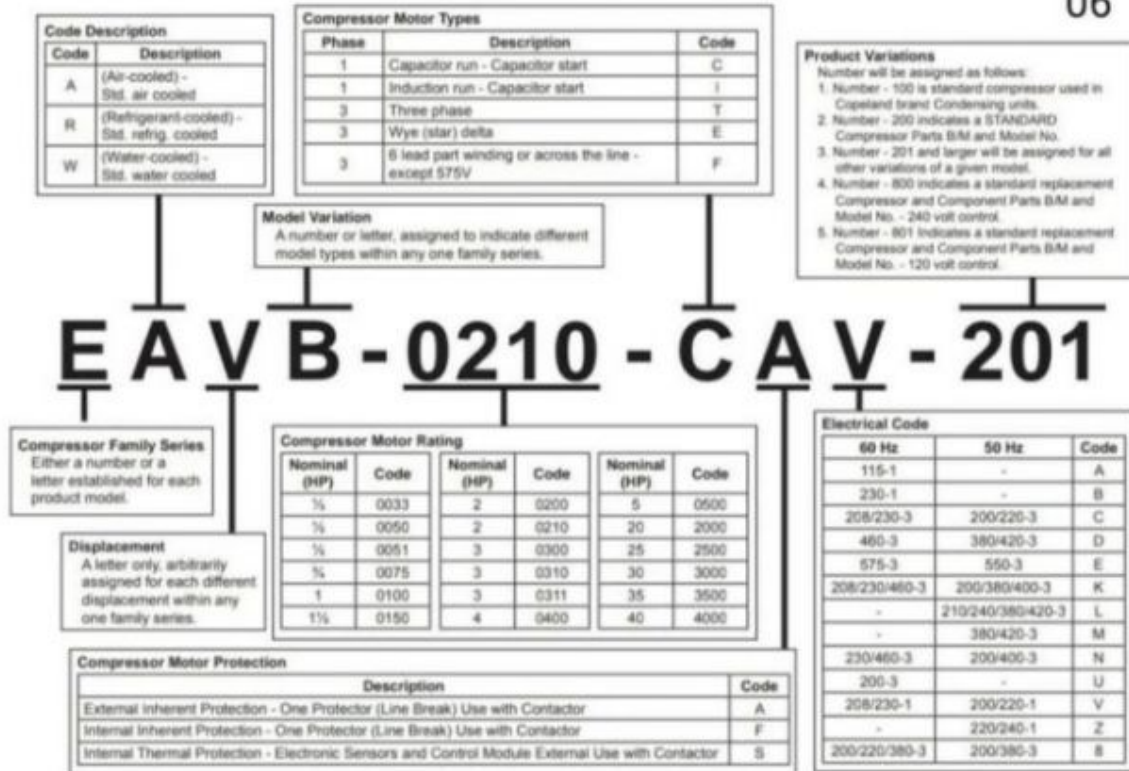


RR



Semi-Hermetic Compressors – E

06



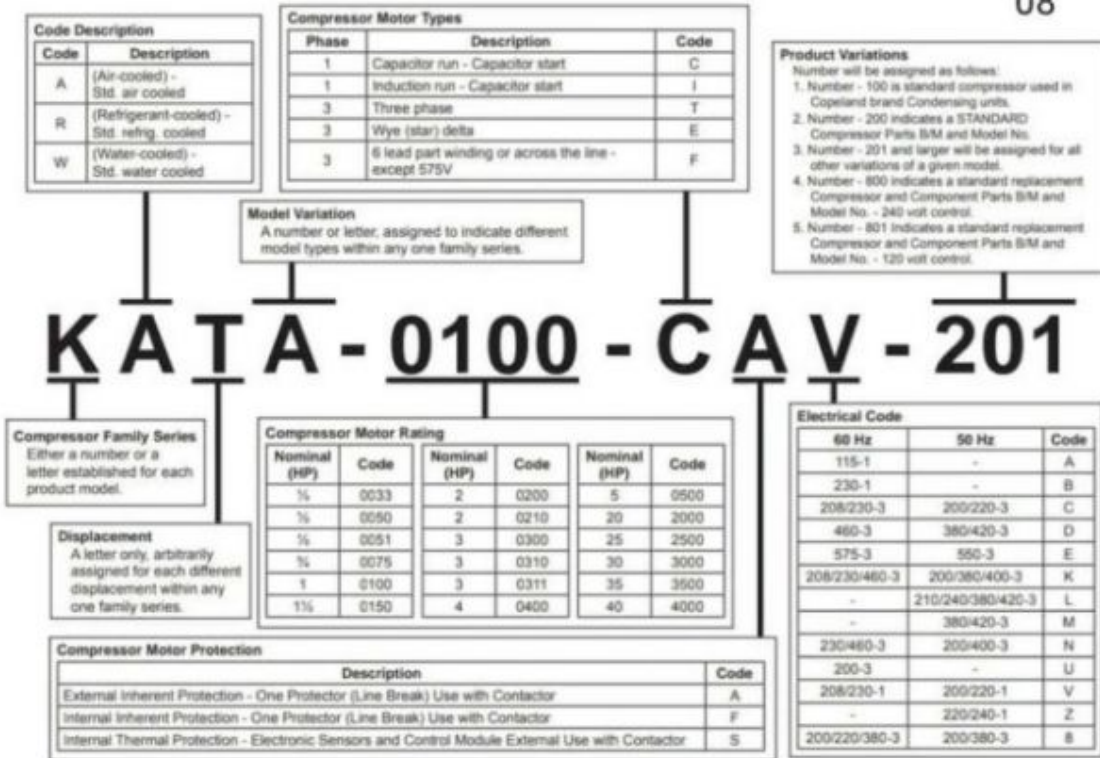
Common Replacement Parts

Common Parts	Part Number
Terminal Insulator Assembly	521-0067-01
Terminal Fusite for 3 Phase	521-0017-00
Terminal Fusite Seal	020-0844-02
Discharge Valve Kit	998-0510-22
Discharge Valve Gasket	020-0012-10
Suction Valve Kit	998-0510-12
Suction Valve Gasket	020-0012-11
Sight Glass Kit	998-0002-04
Suction Strainer Screen	013-0010-00
Spacer Mounting Assembly	527-0006-00
Gaskets	Part Number
Cylinder Head	020-0122-00
Housing Cover	020-1221-00
Bottom Plate	020-0124-00
Stator Cover	020-0054-00
Crankcase Heater	Part Number
Bolt On 120 Volt 65 Watt	918-0009-00
Bolt On 240 Volt 65 Watt	918-0009-01



Semi-Hermetic Compressors – K

08



Common Replacement Parts

Common Parts	Part Number
Sight Glass Kit	998-0002-04
Suction Strainer Screen	013-0146-00
Terminal Board - All K models	580-0070-00
Three Phase Only	
Terminal Fused Cluster (Fusite)	521-0016-00
Terminal Fused Seal (Fusite)	020-0844-02
Without Oil Pump	
Spring Mounting Parts Kit - All 1/2 hp to 1 hp models	527-0005-02
Spring Mounting Parts Kit - All 1 1/2 hp to 2 hp models	527-0005-03
Gaskets	
Cylinder Head Gasket	020-0920-01
Stator Cover Gasket	020-0096-02
Housing Cover Gasket	020-0107-02
Bottom Plate Gasket - O-ring	020-0003-09
Crankcase Heater	
Bolt On 120 Volt 50 Watt	918-0118-05
Bolt On 240 Volt 50 Watt	918-0118-06
Bolt On 480 Volt 50 Watt	918-0118-03



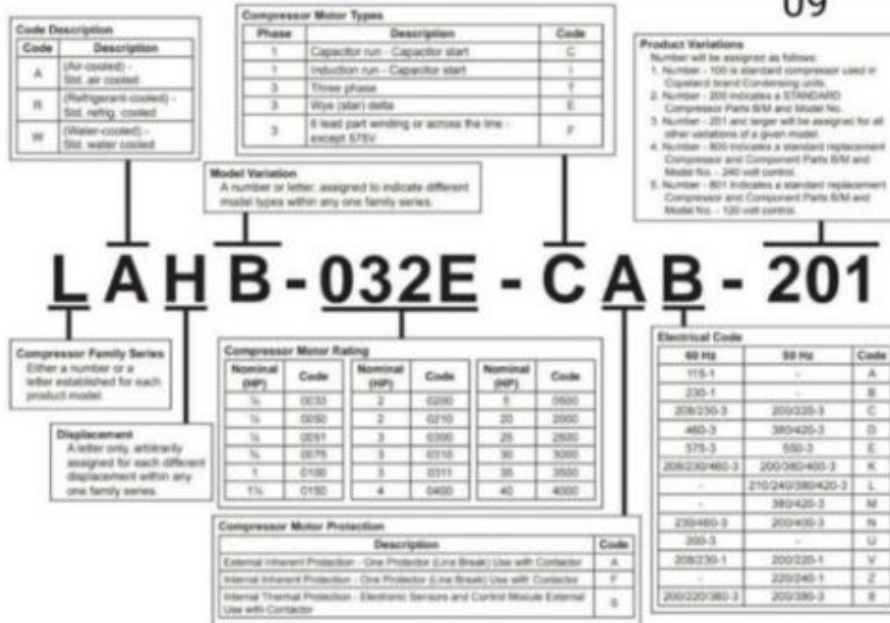
Emerson Climate Technologies



A yellow warning tag on an L-model compressor indicates that the oil level should be adjusted to 3/4 sight glass with compressor running, due to more bearing stress and larger journal holes.

L – Semi-Hermetic Compressors

09



Common Replacement Parts

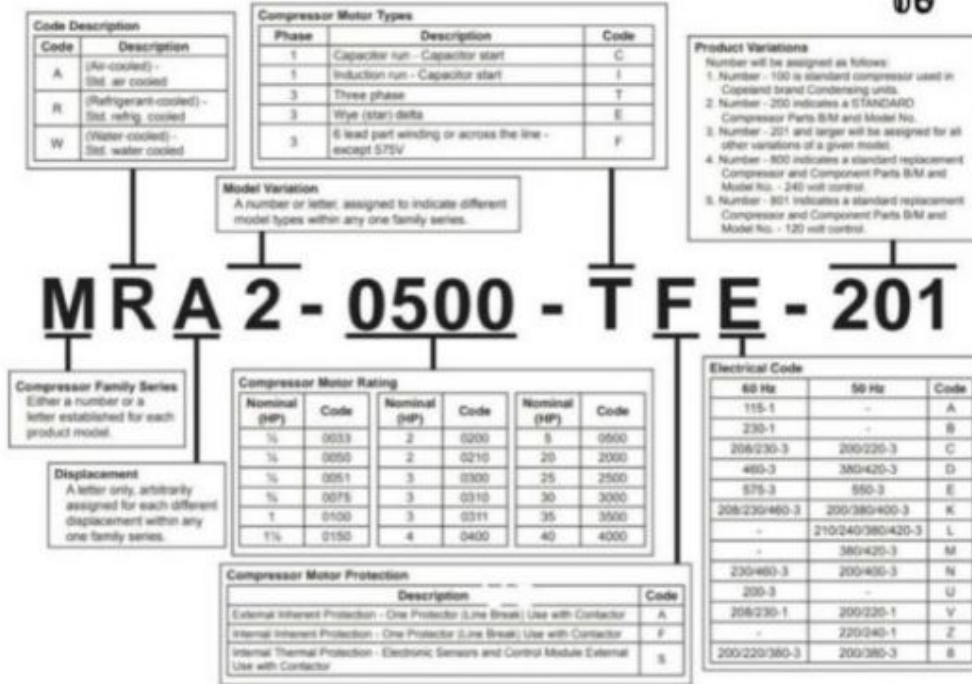
Common Parts	Part Number
Sight Glass	998-0002-04
Suction Screen	013-0038-00
Cylinder Head Gasket	020-0954-00
Stator Cover Gasket	020-0054-00
Bottom Plate Gasket	020-0159-00
Terminal Plate Gasket	020-0146-00
Housing Cover Gasket	020-0749-00
Suction Valve Adapter Gasket	020-0330-00
Suction Valve Gasket	020-0012-11
Discharge Valve Gasket	020-0012-10
Mounting Assembly	527-0007-00
Cooling Fan Kits	Part Number
120V w/Complete Fan Guard	998-0550-02
240V w/Complete Fan Guard	998-0550-00
480V w/Complete Fan Guard	998-0550-01
Mounting Kit w/Studs	998-0574-00
Crankcase Heater	Part Number
Bolt On 120 Volt 65 Watt	918-0009-00
Bolt On 240 Volt 65 Watt	918-0009-01

Three Phase Only

Common Parts	Part Number
Terminal Fusite	521-0017-00
Terminal Fusite	521-0018-00
Fusite Seal	020-0844-02
Connector T Block	021-0227-02



M – Semi-Hermetic Compressors



Common Replacement Parts

Common Parts	Part Number
Sight Glass	998-0002-02
Oil Pump Kit	998-0008-33
Suction Strainer Screen Kit	998-0513-04
Gaskets	Part Number
Cylinder Head	020-0604-00
Housing Cover	020-0104-00
Bottom Plate	020-0159-00
Stator Cover	020-0130-00
Terminal Plate	020-0146-00
Oil Pump	020-1204-00
Suction Service Valve to Compressor Body	020-0489-00
Discharge Service Valve to Compressor Body	020-1224-00

Cooling Fan Kits	Part Number
120V w/Complete Fan Guard	998-0550-02
240V w/Complete Fan Guard	998-0550-00
460V w/Complete Fan Guard	998-0550-01
Mounting Kit w/Studs	998-0574-01
Crankcase Heater	Part Number
Bolt On 120 Volt 65 Watt	518-0009-00
Bolt On 240 Volt 65 Watt	518-0009-01
Sentronic 3 Kits and Parts	Part Number
Complete Kit	585-1076-02
Sensor and Cable Kit	998-0162-00
Sensor Only	998-0162-01
Copper Gasket for Sensor	020-0297-13
O-Ring Gasket for Sensor	020-0003-28



Scanned by CamScanner